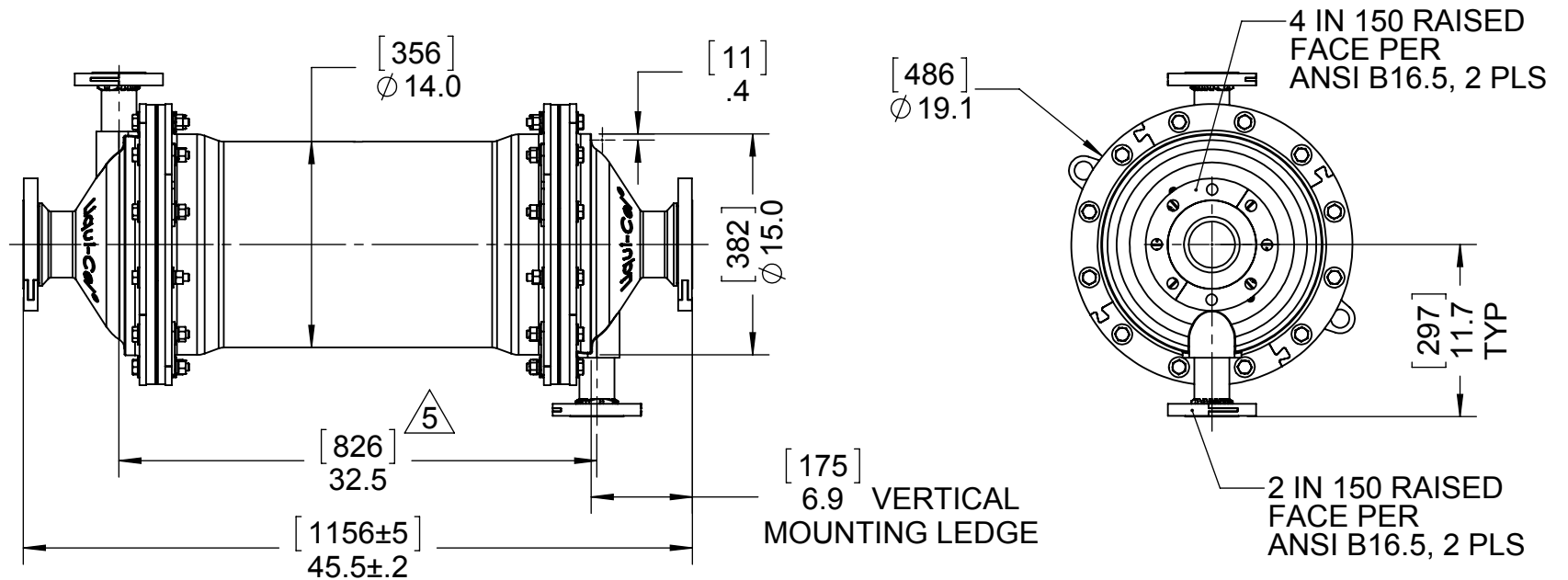


NOTES:
 1- DRAWING DIMENSIONS IN INCHES
 2- [DIMENSIONS IN MILLIMETERS]

REVISIONS			
REV.	DESCRIPTION	DATE	APPROVED
4	UPDATED DRAWING FORMAT, DELETED OVERDIMENSIONING, STANDARDIZED DIM FORMAT	4/12/2011	EWB
5	CORRECTED METRIC CONVERSION	9/29/2011	EWB



<p>CONFIDENTIAL</p> <p>THE INFORMATION CONTAINED IS CONFIDENTIAL. SUCH INFORMATION IS THE PROPERTY OF MEMBRANA AND MAY NOT BE USED BY, OR DISCLOSED TO OTHERS WITHOUT WRITTEN CONSENT OF MEMBRANA. THE INFORMATION CONTAINED HEREIN MAY NOT BE USED FOR ANY PURPOSE OTHER THAN THE EXPRESSED INTENT FOR WHICH IT WAS LENT.</p> <p>©2011 Membrana-Charlotte. All rights reserved.</p> <p>MEMBRANA MEMBRANA Underlining Performance</p>	<p>SCALE: 1:12</p>		NAME	DATE
	<p>WT:</p>		DRAWN	EWB 04/11/11
	<p>Purchase Spec:</p>		ENG APPR.	EWB 04/12/11
	<p>INTERPRET GEOMETRIC TOLERANCING PER: ANSI Y14</p>		MFG APPR.	
<p>MATERIAL</p>		<p>SIZE A TITLE: 14 X 28, PVC/NYLON, ANSI, ROTATED PORTS</p>		
<p>DO NOT SCALE DRAWING</p>		PART NO.	DWG. NO.	SHEET 1 OF 1
		<p>SMC-0114-12-6192</p>		REV 5