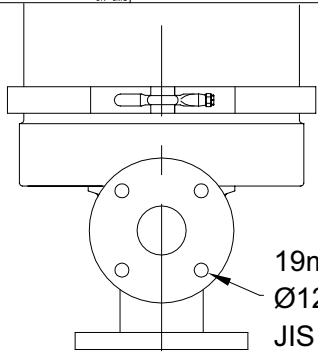
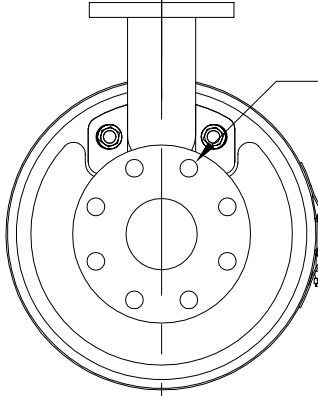


8087-21-0110-CMS
ON TMO

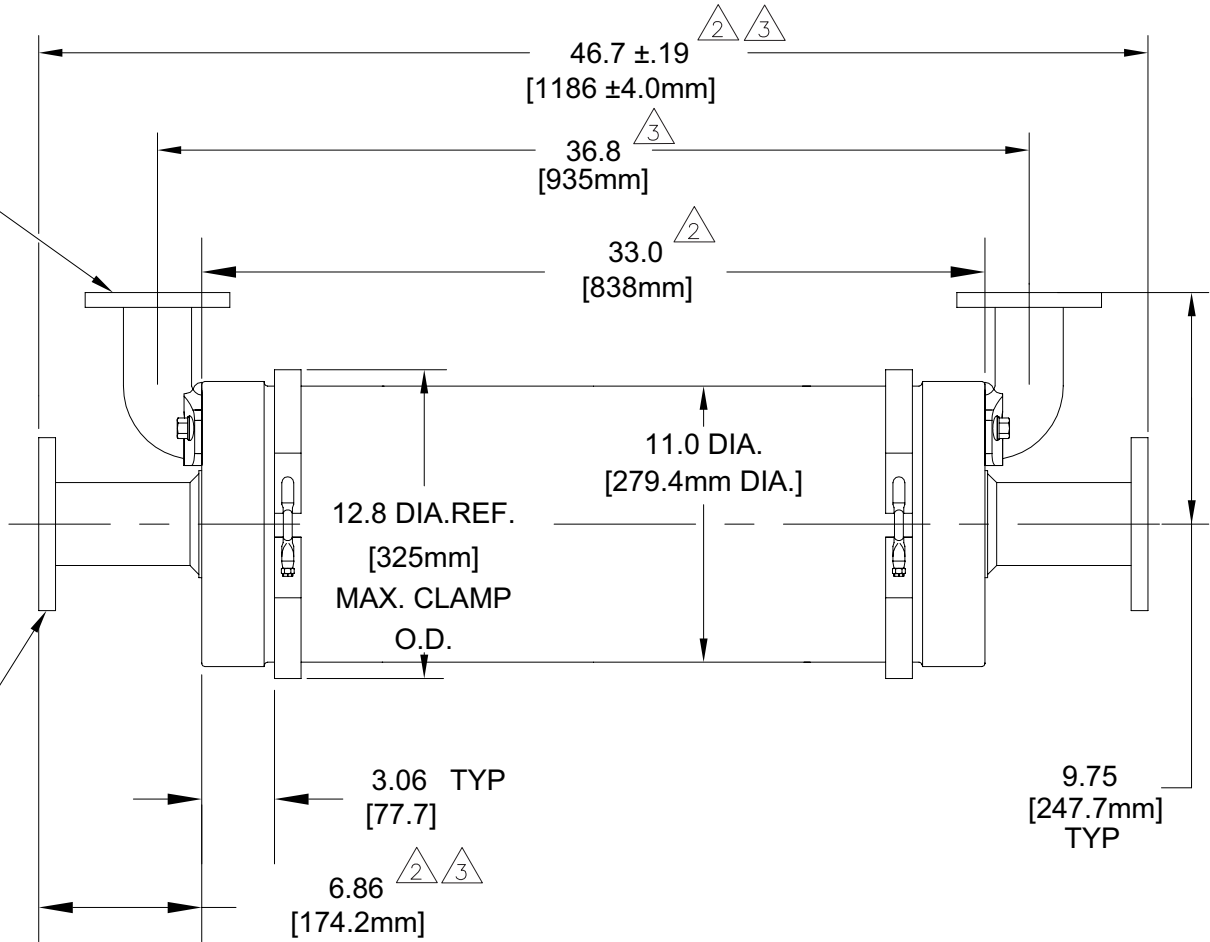


19mm HOLE X 4 ON
Ø120mm B.C. PER
JIS B2238



19mm HOLE X 8 ON
Ø150mm B.C. PER
JIS B2238

JIS 80A
10K (142.2 psi)
FLAT FACE FLANGE
2 EA.



REV	DESCRIPTION	DRAWN	CHKD	APVD	D	R
1	CHANGED TITLE BLOCK	MLW			18/14/99	
2	AS PER CIT REQUEST	SDM			8/4/01	
3	CORRECTED - WAG 46.62, 36.75, 6.81	EMB			12/08/05	

THE INFORMATION CONTAINED HEREIN IS CONFIDENTIAL AND NOT BE USED FOR ANY PURPOSE OTHER THAN THE EXPRESS INTENT FOR WHICH IT WAS OBTAINED. THE INFORMATION CONTAINED HEREIN IS THE PROPERTY OF MEMBRANA AND MAY BE USED BY OR FOR THE BENEFIT OF THE CLIENT OR OTHERS ONLY AS AUTHORIZED BY MEMBRANA. THE INFORMATION CONTAINED HEREIN IS NOT TO BE USED FOR ANY PURPOSE OTHER THAN THE EXPRESS INTENT FOR WHICH IT WAS OBTAINED.

MEMBRANA
Underlining Performance

RECD	PART	DRAWING NUMBER	DESCRIPTION	MATERIAL	REMARKS
3-25-99		APPROVED FOR CONSTRUCTION			
		SUPERSEDES			
		SUPERSEDED BY			

DO NOT SCALE THIS DRAWING					
THIRD ANGLE PROJECTION					
DRAWN BY: RHC					
CHECKED BY:					
APPROVED BY:					
APPROVED BY:					

RECD	PART	DRAWING NUMBER	DESCRIPTION	MATERIAL	REMARKS
3-25-99		APPROVED FOR CONSTRUCTION			
		SUPERSEDES			
		SUPERSEDED BY			

SCALE	1 OF 1				
SCALE	NONE				
PLAN FILE NO	POCKET NO	FOLDER NO			

REF MACHINE

DRAWING TITLE 10 X 28 FRP CONTACTOR, JIS FLANGES

PLOTTED: